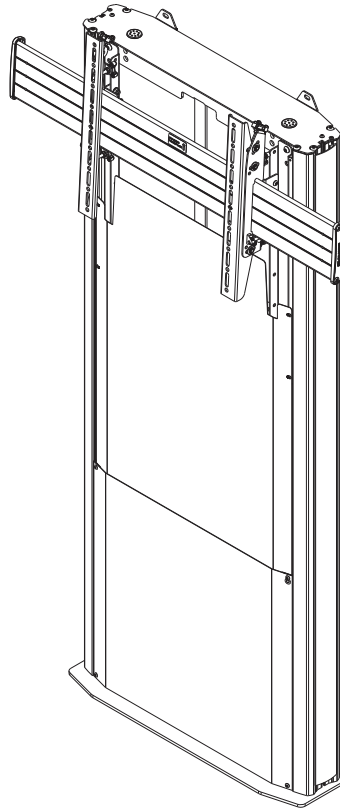

INSTALLATION INSTRUCTIONS



Height Adjustable Floor to Wall Stand

DISCLAIMER

Milestone AV Technologies and its affiliated corporations and subsidiaries (collectively "Milestone"), intend to make this manual accurate and complete. However, Milestone makes no claim that the information contained herein covers all details, conditions or variations, nor does it provide for every possible contingency in connection with the installation or use of this product. The information contained in this document is subject to change without notice or obligation of any kind. Milestone makes no representation of warranty, expressed or implied, regarding the information contained herein. Milestone assumes no responsibility for accuracy, completeness or sufficiency of the information contained in this document.

Chief® is a registered trademark of Milestone AV Technologies. All rights reserved.

DEFINITIONS

MOUNTING SYSTEM: A MOUNTING SYSTEM is the primary Chief product to which an accessory and/or component is attached.

ACCESSORY: AN ACCESSORY is the secondary Chief product which is attached to a primary Chief product, and may have a component attached or setting on it.

COMPONENT: A COMPONENT is an audiovisual item designed to be attached or resting on an accessory or mounting system such as a video camera, CPU, screen, display, projector, etc.



WARNING: A WARNING alerts you to the possibility of serious injury or death if you do not follow the instructions.



CAUTION: A CAUTION alerts you to the possibility of damage or destruction of equipment if you do not follow the corresponding instructions.



IMPORTANT SAFETY INSTRUCTIONS



WARNING: Failure to read, thoroughly understand, and follow all instructions can result in serious personal injury, damage to equipment, or voiding of factory warranty! It is the installer's responsibility to make sure all mounting systems/accessories are properly assembled and installed using the instructions provided.



WARNING: Failure to provide adequate structural strength for this mounting system can result in serious personal injury or damage to equipment! It is the installer's responsibility to make sure the structure to which this mounting system is attached can support five times the combined weight of all equipment. Reinforce the structure as required before installing the mounting system.



WARNING: Use this mounting system only for its intended use as described in these instructions. Do not use attachments not recommended by the manufacturer.



WARNING: Never operate this mounting system if it is damaged. Return the mounting system to a service center for examination and repair.



WARNING: Do not use this product outdoors.



WARNING: Exceeding the weight capacity can result in serious personal injury or damage to equipment! It is the installer's responsibility to make sure the combined weight of all accessories and components attached to the MFD1U/LFD1U head assembly up to (and including) the display falls within the specific weight range listed in the table below. The height adjustable feature of this mount will not function properly if the weight is not within the ranges listed below.

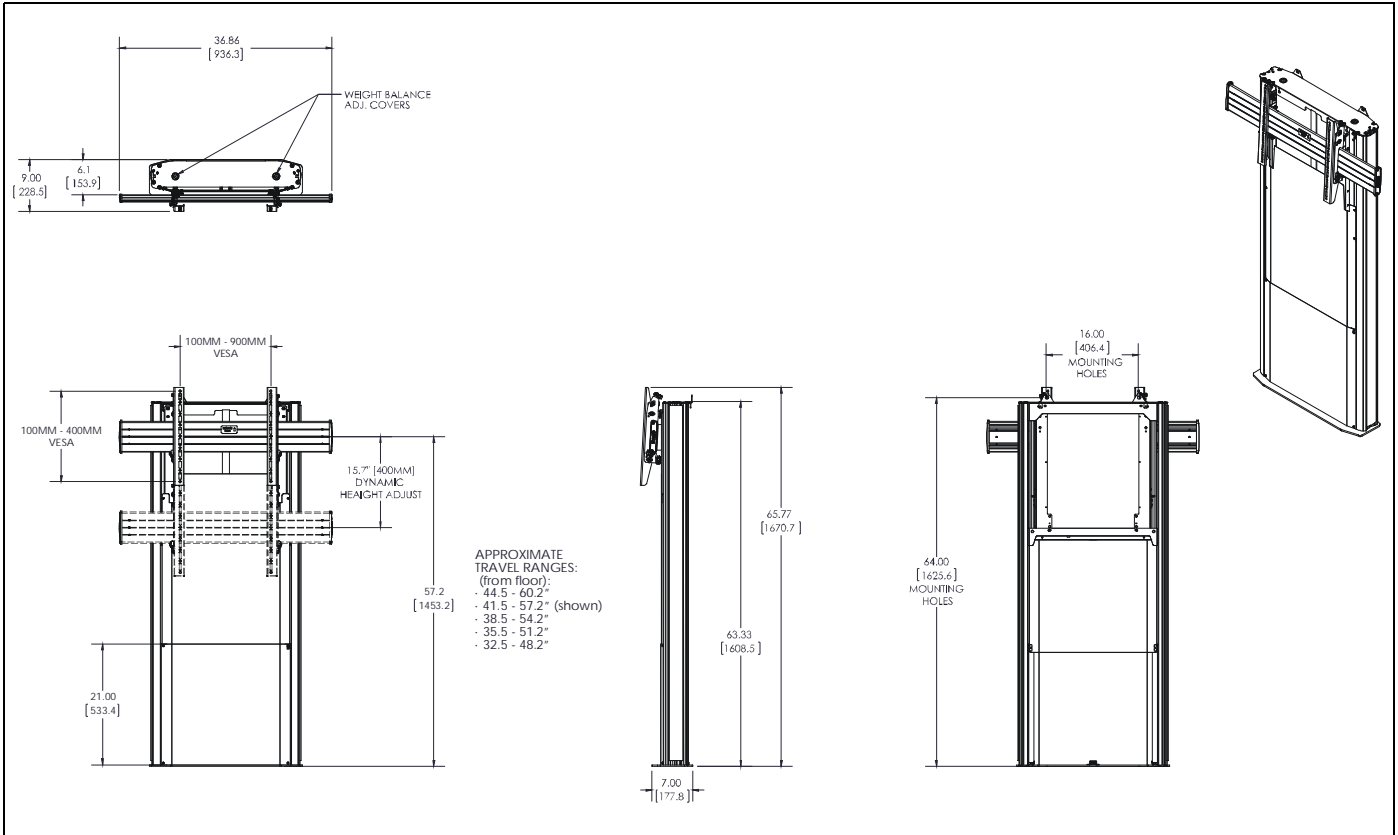
MODEL	Minimum Weight Allowed	Max Weight Allowed
MFD1U	67 lbs (30.4 kg)	130 lbs (58.9 kg)
LFD1U	122 lbs (55.4 kg)	175 lbs (79.4 kg)

NOTE: The MFD1U/LFD1U mount has no user serviceable parts.



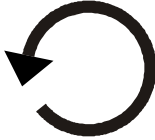









NOTE: The MFD1U/LFD1U mount can support screen sizes up to a maximum of 100" wide.

--SAVE THESE INSTRUCTIONS--

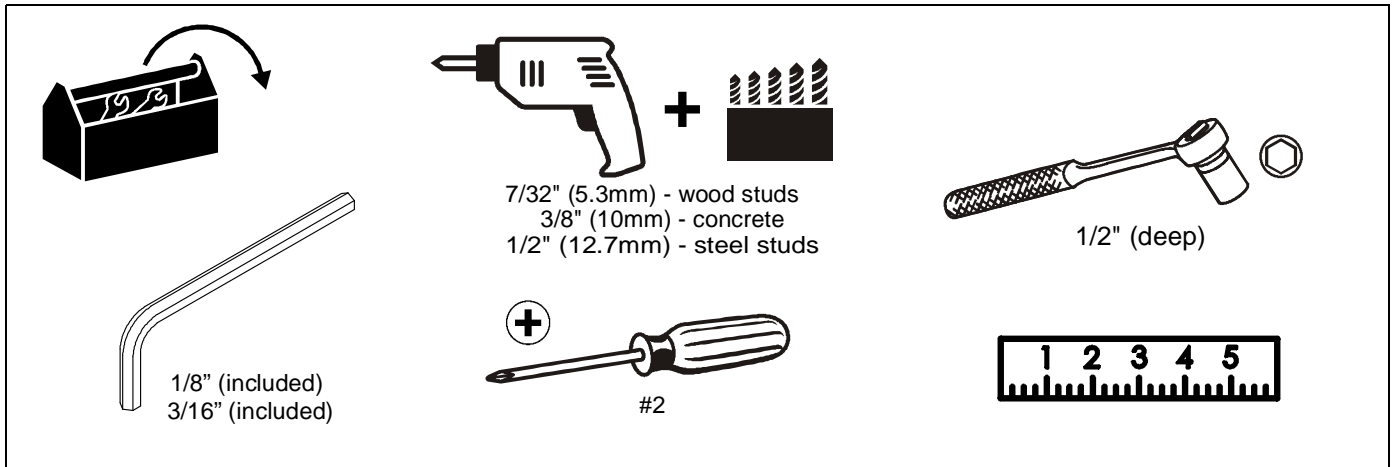
DIMENSIONS



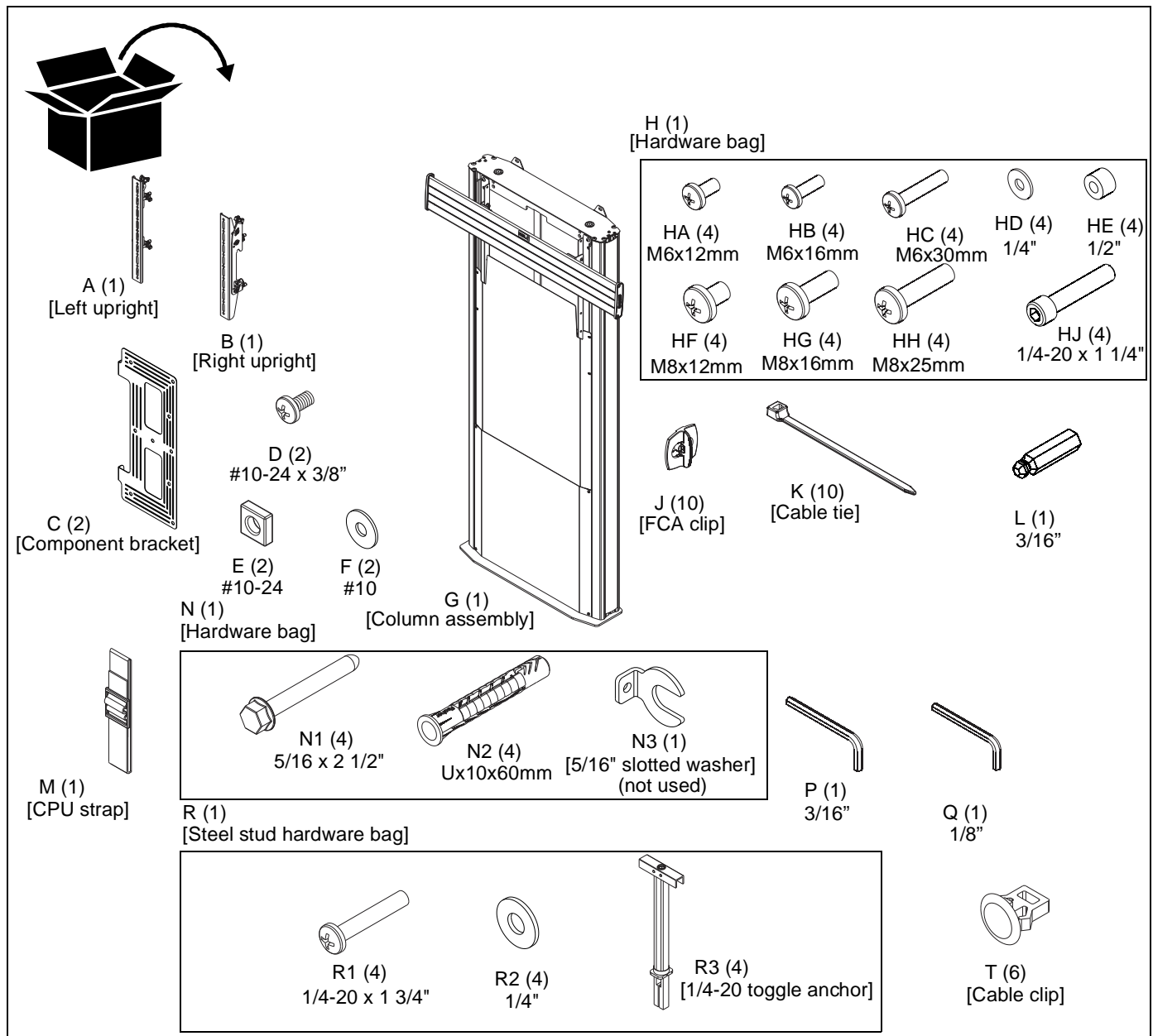
LEGEND

	Tighten Fastener Apretar elemento de fijación Befestigungsteil festziehen Apertar fixador Serrare il fissaggio Bevestiging vastdraaien Serrez les fixations		Pencil Mark Marcar con lápiz Stiftmarkierung Marcar com lápis Segno a matita Potloodmerkteken Marquage au crayon
	Loosen Fastener Aflojar elemento de fijación Befestigungsteil lösen Desapertar fixador Allentare il fissaggio Bevestiging losdraaien Desserrez les fixations		Drill Hole Perforar Bohrloch Fazer furo Praticare un foro Gat boren Percez un trou
	Phillips Screwdriver Destornillador Phillips Kreuzschlitzschraubendreher Chave de fendas Phillips Cacciavite a stella Kruiskopschroevendraaier Tournevis à pointe cruciforme		Adjust Ajustar Einstellen Ajustar Regolare Afstellen Ajuster
	Open-Ended Wrench Llave de boca Gabelschlüssel Chave de bocas Chiave a punte aperte Steeksleutel Clé à fourche		Remove Quitar Entfernen Remover Rimuovere Verwijderen Retirez
	By Hand A mano Von Hand Com a mão A mano Met de hand À la main		Optional Opcional Optional Opcional Opzionale Optie En option
	Hex-Head Wrench Llave de cabeza hexagonal Sechskantschlüssel Chave de cabeça sextavada Chiave esagonale Zeskantsleutel Clé à tête hexagonale		Security Wrench Llave de seguridad Sicherheitsschlüssel Chave de segurança Chiave di sicurezza Veiligheidsleutel Clé de sécurité

TOOLS REQUIRED FOR INSTALLATION



PARTS



Assembly And Installation

The MFD1U/LFD1U is designed to be mounted to:

- a bare concrete wall with a minimum thickness of 8" (203mm);
- a bare 8" x 8" x 16" (203mm x 203mm x 406mm) concrete block wall; or
- wood studs spaced 16" on center with a maximum drywall covering of 5/8".
- a 2" x 4"-25ga minimum steel stud wall.

Attachment to Wall and Floor (Optional)

IMPORTANT ! : The MFD1U/LFD1U does NOT need to be attached to the floor as well as the wall, but it MUST be attached to the wall. Do NOT only attach it to the floor without also securing it to the wall!

Installing to Wood Stud Wall

1. Use a stud-finder to locate 16" studs.
2. Place column assembly against wall making sure to line up attachment brackets with studs. (See Figure 1)
3. Mark hole locations at each mounting location. (See Figure 1)
4. Drill two 7/32" holes at marked hole locations. (See Figure 1)
5. If also attaching to floor, proceed ahead to "Attaching to Floor" Section and attach to floor before securing to the wall.

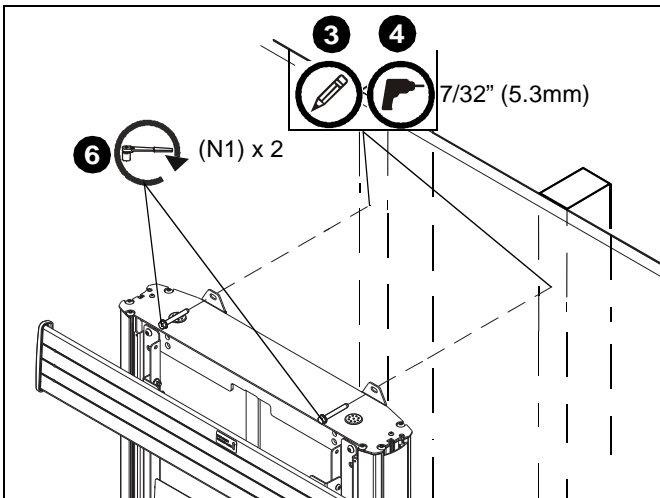


Figure 1

6. Install two 5/16 x 2 1/2" hex head cap screws (N1) through holes on attachment brackets and into drilled holes on wall. (See Figure 1)

Installing to a Concrete Wall

1. Place column assembly against wall at desired mounting location. (See Figure 2)
2. Mark hole locations at each mounting location. (See Figure 2)
3. Drill two 3/8" holes at marked hole locations. (See Figure 2)

4. Install an anchor (N2) into each pilot hole using a hammer, making sure that the anchor is flush with the wall. (See Figure 2)
5. If also attaching to floor, proceed ahead to "Attaching to Floor" Section and attach to floor before securing to the wall.

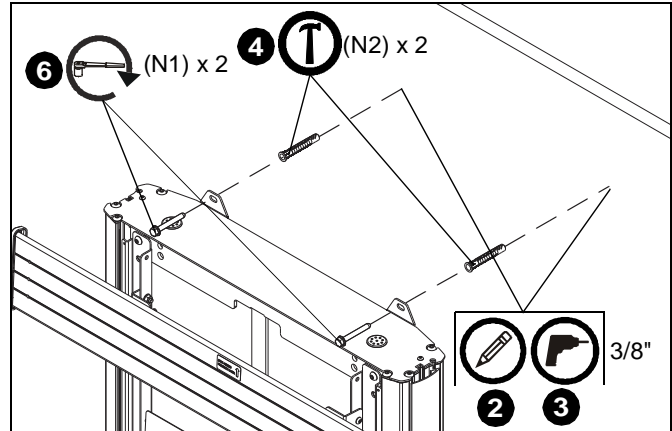


Figure 2

6. Install two 5/16 x 2 1/2" hex head cap screws (N1) through holes on attachment brackets and into anchors (N2) on wall. (See Figure 2)

Installing to Steel Studs



WARNING: IMPROPER INSTALLATION CAN LEAD TO EQUIPMENT FALLING CAUSING SERIOUS PERSONAL INJURY OR DAMAGE TO EQUIPMENT! The following figure identifies the minimum requirements for installation of mount onto a steel stud structure. If the structure or its components do not meet these requirements contact the mount manufacturer for specific instructions before attempting installation. It should also be noted that no other equipment should be mounted to the same stud. (See Figure 3)

Site Requirements

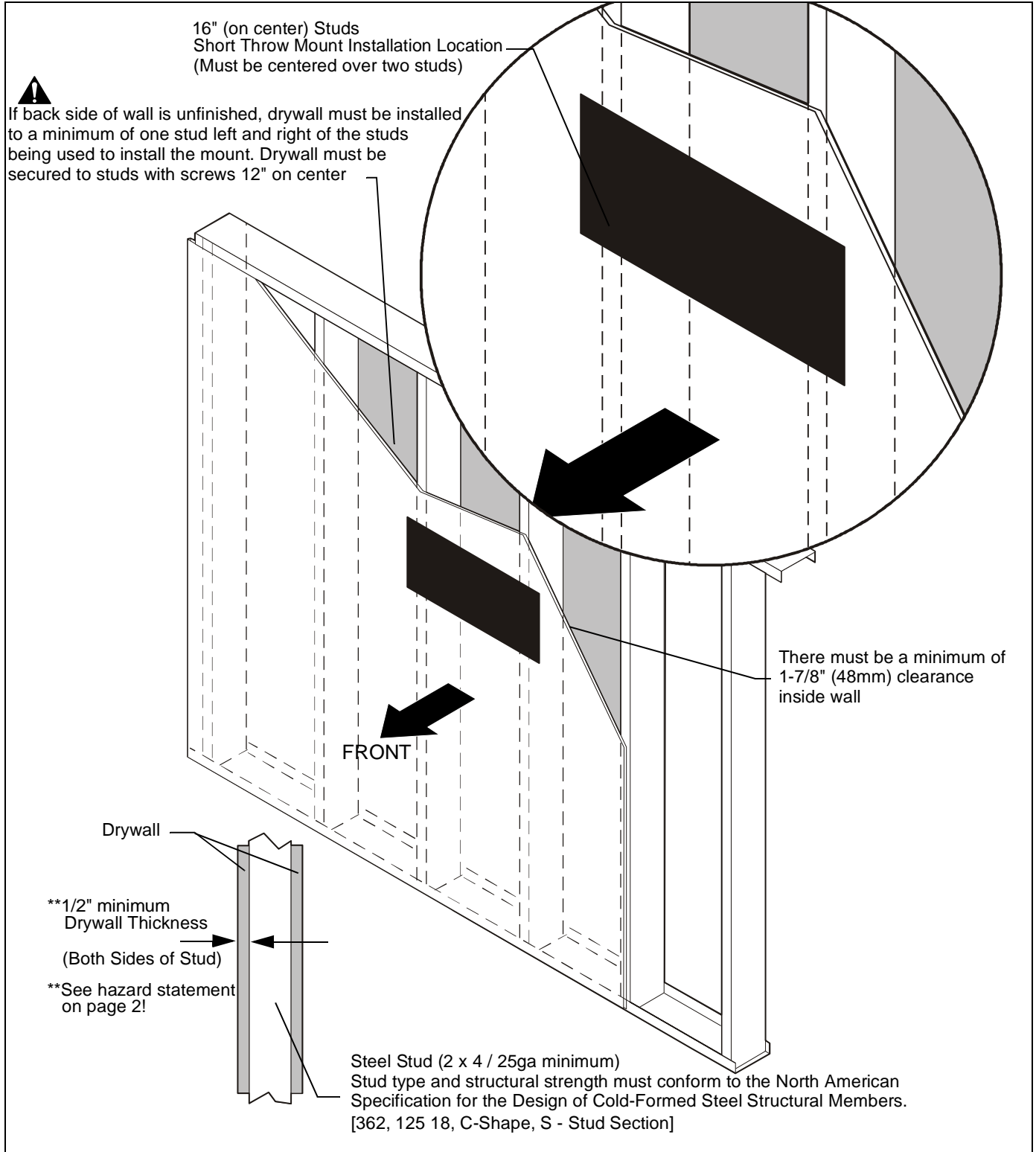


Figure 3

Steel Studs

IMPORTANT ! : See **Site Requirements** section before proceeding with Steel Studs installation to ensure installation site meets requirements! The drywall must have a minimum thickness of 1/2"!

⚠ WARNING: USING THIS PRODUCT INCORRECTLY MAY RESULT IN SERIOUS PERSONAL INJURY OR DAMAGE TO EQUIPMENT! Do NOT fasten the MFD1U/ LFD1U into only drywall!

1. Drill a 1/2" hole at the desired mounting locations.
2. Hold metal channel on anchor (R3) flat alongside plastic straps and slide channel through hole. (See Figure 4)

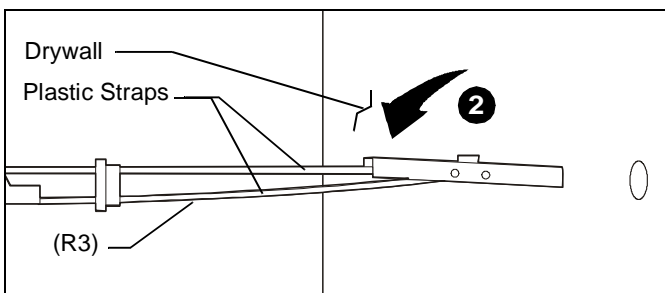


Figure 4

3. Holding plastic straps on anchor (R3), pull anchor away from wall until channel rests flush behind wall making sure anchor channel is positioned vertically on stud. (See Figure 5)
4. Slide plastic cap on anchor (R3) towards wall until flange of cap is flush with wall. (See Figure 5)

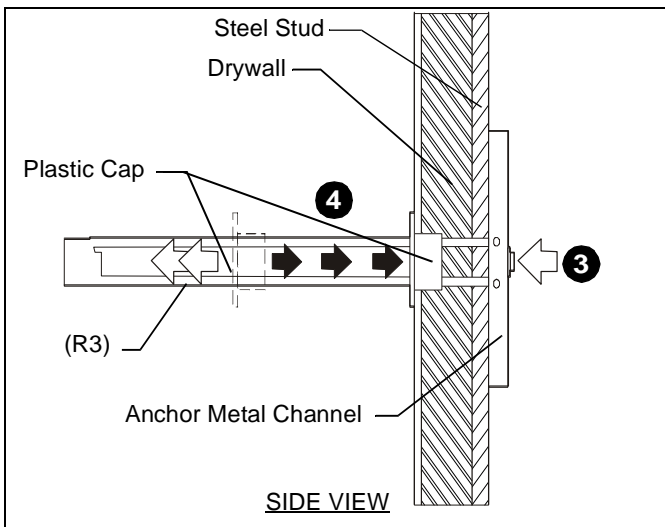


Figure 5

5. Snap off plastic straps on anchor at wall by pushing side to side, snapping off straps level with flange of plastic cap. (See Figure 6)

6. Repeat Steps 1 through 5 for the other mounting hole.

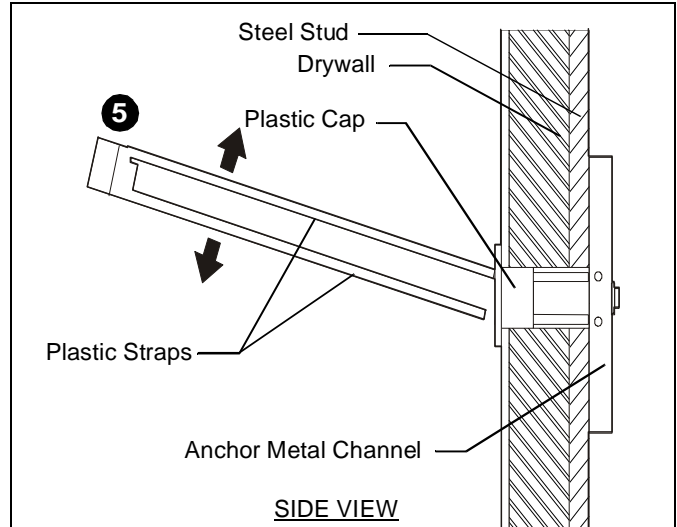


Figure 6

7. Place mount over anchors and align mounting holes on mount with holes in anchors. (See Figure 7)
8. If also attaching to floor, proceed ahead to "Attaching to Floor" Section and attach to floor before securing to the wall.

⚠ WARNING: IMPROPER INSTALLATION CAN LEAD TO EQUIPMENT FALLING CAUSING SERIOUS PERSONAL INJURY OR DAMAGE TO EQUIPMENT! Overtightening of mounting hardware can damage the steel studs. DO NOT overtighten mounting hardware!

9. Insert two 1/4-20 x 1-3/4" Phillips pan head screws (R1) through two 1/4" washers (R2), corresponding mounting holes on mount and into anchors (R3) and tighten until flush against mount. DO NOT overtighten! (See Figure 7)

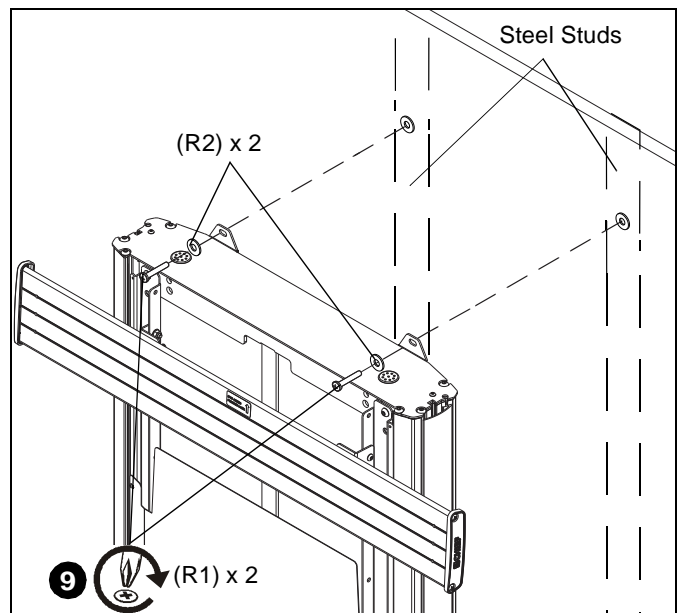


Figure 7

Attaching to Floor (Optional)

IMPORTANT ! : Do NOT install to the floor before making sure the holes to attach to the wall have been drilled in the proper locations.

1. Remove lower cover to expose floor holes. Refer to Cover Removal Section for details. (See Figure 15)
2. Mark hole locations at each floor mounting location. (See Figure 8)
3. Drill two 7/32" holes if installing to wood floor or 3/8" holes if installing to a concrete floor. (See Figure 8)
4. If installing to concrete floor only, use a hammer to install anchors (N2) to two holes drilled in floor. (See Figure 8)
5. Install two 5/16 x 2 1/2" hex head cap screws (N1) through floor holes and into drilled holes in floor or anchors. (See Figure 8)

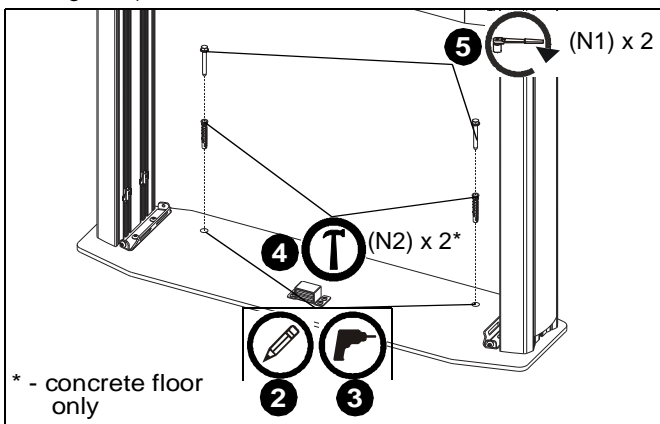


Figure 8

6. Reinstall lower cover. Refer to Cover Removal Section for details. (See Figure 16)

Display Installation

NOTE: Vertical positioning on mount can be adjusted prior to installing display. See "Vertical Positioning Adjustment" Section for details.

1. Place display face down on a soft, non-abrasive surface.

NOTE: For best access, route display cables through columns prior to display installation. See Cable Management section for details.



CAUTION: Using screws of improper diameter may damage your display! Proper screws will easily thread into display mounting holes.

2. Select screw *diameter* by examining hardware (HA-HC and HF-HH) (6mm or 8mm) and comparing with mounting holes on display. (See Figure 9)
3. Select spacers:
 - If mounting holes are not recessed and interface brackets (A and B) can lay flat against display, then no spacers are required.
 - If mounting holes are recessed, or if protrusions prevent brackets (A and B) from laying flat, then spacers (HE) must be used.



CAUTION: Using screws of improper length may damage your display! Proper screws will have adequate thread engagement without contacting bottom of display mounting holes.

4. Select screw *length*: (See Figure 9)
 - Using your hand, insert **SHORTEST** length screw of selected diameter (HA or HF) through 1/4" washer (HD), bracket (A or B), selected spacer (HE, if required), into display mounting hole. Do NOT thread screw into hole at this time.
 - Proper screw length requires base of screw head to protrude above flat washer a *distance equal to or greater than the screw diameter*. If screw length is inadequate, select longer screw. Select *shortest* screw which will protrude the required distance.
5. Use selected screws (HA-HC or HF-HH), washers (HD) and spacers (HE), if necessary, to connect interface brackets (A and B) to back of display. Make sure diamond on interface brackets is even with center of display. (See Figure 9)

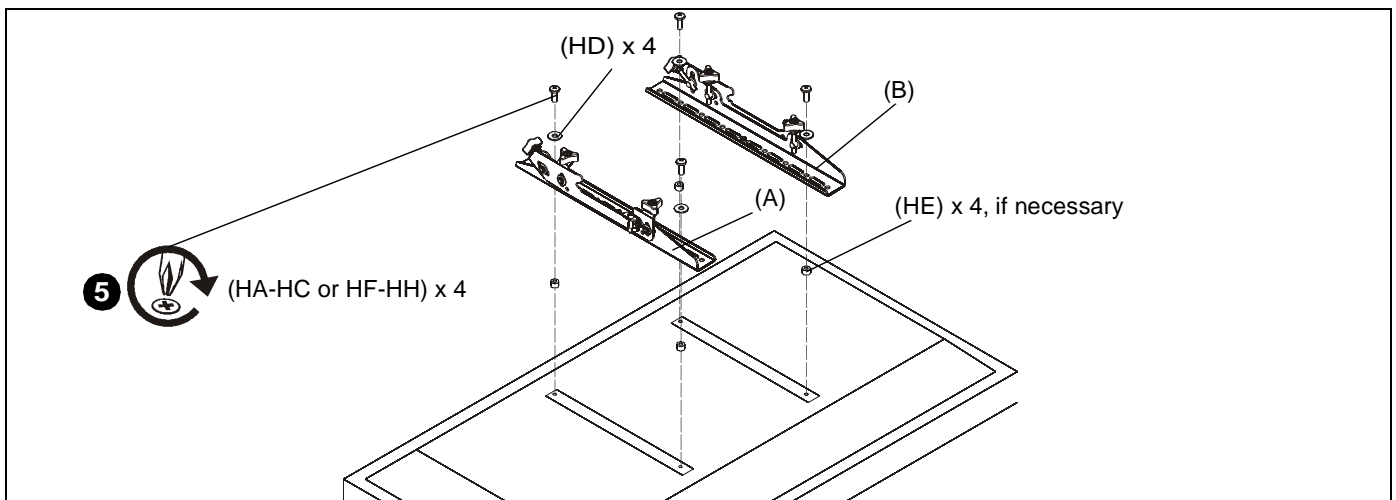


Figure 9

WARNING: Exceeding the weight capacity can result in serious personal injury or damage to equipment! It is the installer's responsibility to make sure the combined weight of all accessories and components attached to the MFD1U/LFD1U head assembly up to (and including) the display falls within the specific weight range listed in the table below. The height adjustable feature of this mount will not function properly if the weight is not within the ranges listed below

MODEL	Minimum Weight Allowed	Max Weight Allowed
MFD1U	67 lbs (30.4 kg)	130 lbs (58.9 kg)
LFD1U	122 lbs (55.4 kg)	175 lbs (79.4 kg)

- Hang interface brackets (A and B) to display rails. (See Figure 10)
- Use 1/4-20 x 1 1/4" socket head cap screws (HI) to secure interface brackets (A and B) to rails for each display. Screws must engage through both holes to be fully secured. (See Figure 10)

NOTE: Display positions may need to be adjusted after height and/or plumb adjustments in order to maintain desired alignment.

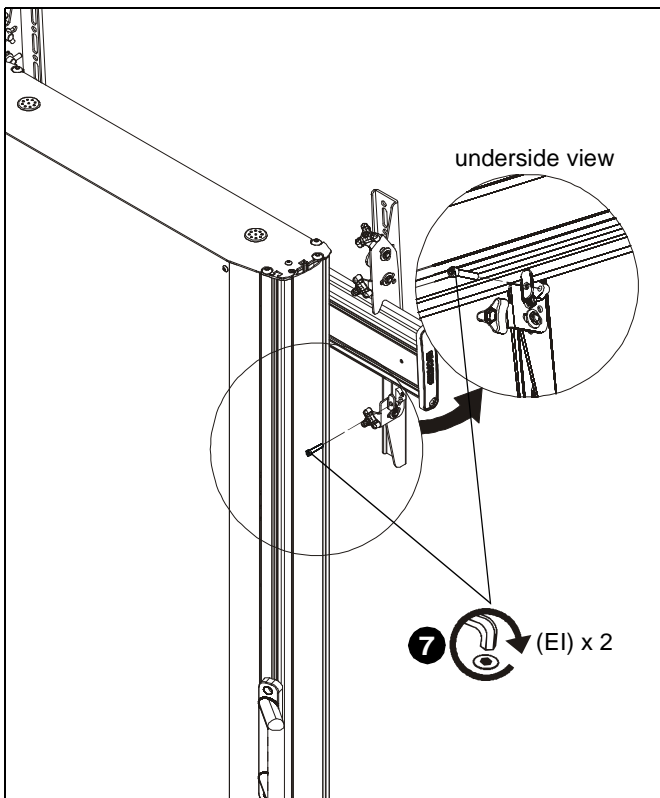


Figure 10

WARNING: In order to ensure an even mount, uprights **MUST** be centered over column assembly. Do **NOT** install both uprights to the same side of column assembly! (See Figure 11)

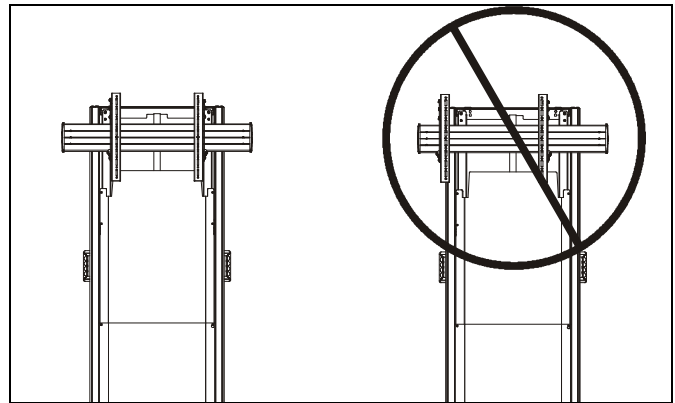


Figure 11

Component Bracket Installation (Optional)

NOTE: Component bracket may be installed to either side of column.

NOTE: Lower cover must be removed to install component bracket. See Cover Removal section for details.

- Loosely install two #10-24 x 3/8" Phillips head machine screws (D) through two #10 washers (F), holes in component bracket (C) and into two #10-24 square nuts (E). (See Figure 12)
- Insert two #10-24 square nuts (E) into two openings on column channel. (See Figure 12)
- Lift component bracket (C) to desired mounting position. (See Figure 12)
- Tighten screws to a torque force of 10 ft-lbs. (See Figure 12)

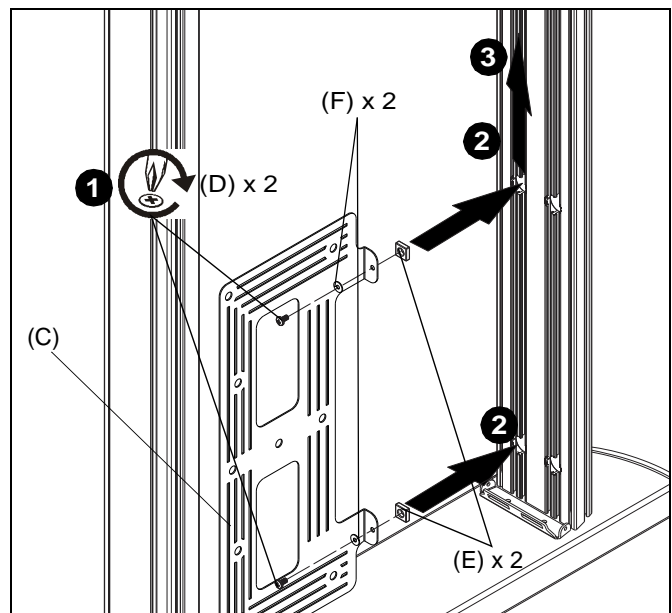


Figure 12



WARNING: Exceeding the weight capacity can result in serious personal injury or damage to equipment! It is the installer's responsibility to make sure the combined weight of all accessories and components installed to the component bracket (C) does not exceed 10 lbs (4.54 kg). Exceeding the weight capacity may result in damage to the equipment or components!

IMPORTANT ! : Do NOT attach component bracket too high on column or above height adjustment mechanism or it could interfere with the height adjustment mechanism. See Height Adjustment Section for details.

5. Install components to component bracket as desired using cable ties (K), cable clips (T) or screws. (See Figure 13)

NOTE: Component bracket is designed to mount small audio/video components such as power strips, media players, etc.

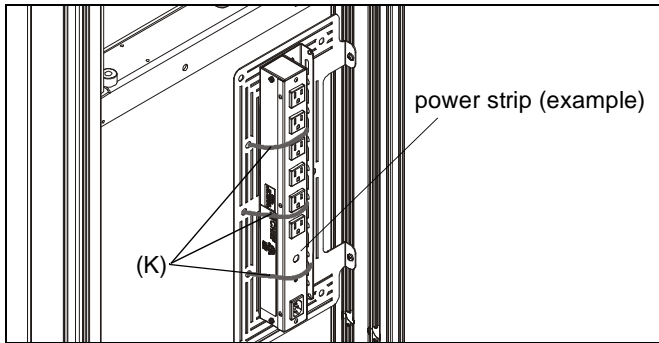


Figure 13

CPU Installation (Optional)

NOTE: Lower cover must be removed to install component bracket. See Cover Removal section for details.

1. Route CPU strap (M) through hole on lower bracket and around CPU to secure CPU to column base. (See Figure 14)



WARNING: Exceeding the weight capacity can result in serious personal injury or damage to equipment! It is the installer's responsibility to make sure the combined weight of all accessories and components installed to the lower bracket does not exceed 20 lbs (9.07 kg). Exceeding the weight capacity may result in damage to the equipment or components!

NOTE: CPU strap is designed for use with larger non-rack mountable CPU's or audio/video components.

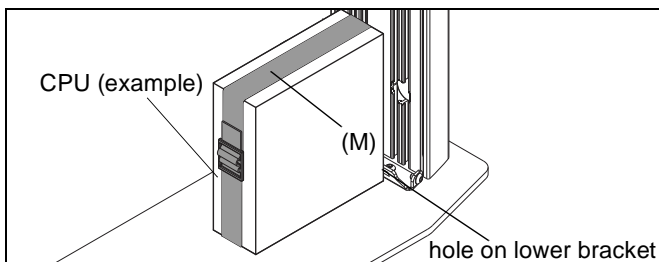


Figure 14

Cover Removal

NOTE: The lower front cover comes with four button head cap screws installed to provide additional security. But to have quick access to the interior of the cart, these screws do NOT need to be re-installed as the door can be closed using the magnets inside the door.

1. Remove four button head cap screws holding lower front cover to stand. (See Figure 15)
2. Pull lower front cover away from stand. (See Figure 15)

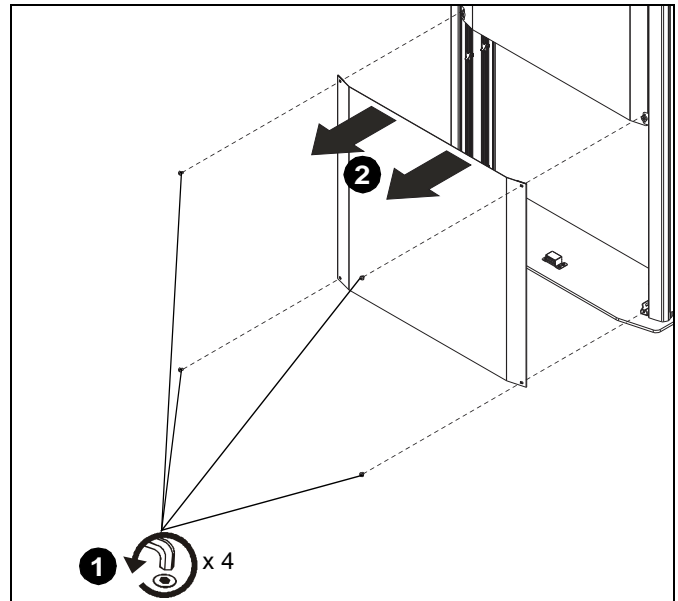


Figure 15

3. Install accessories and components as desired.
4. Install lower front cover back on stand using magnets. (See Figure 16)
5. (Optional) Re-install four button head cap screws if additional security is desired. (See Figure 16)

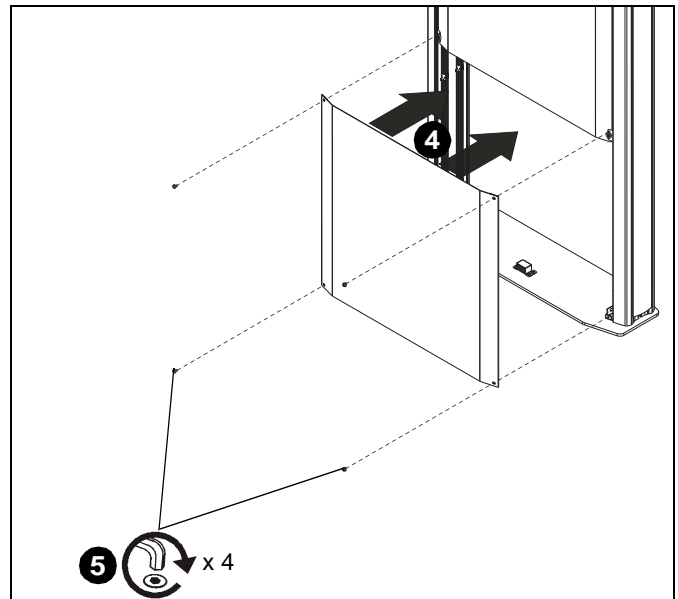


Figure 16

Vertical Positioning Adjustment

Vertical position may be adjusted prior to installing displays. Do NOT attempt to adjust position with the display installed!

1. Remove four screws and nuts holding head assembly to vertical brackets on mount. (See Figure 17)
2. Adjust height of head assembly up or down lining up the holes on the brackets as desired. (See Figure 17)
3. Reinstall four screws and nuts removed in Step 1 to secure head assembly to vertical brackets on mount. (See Figure 17)

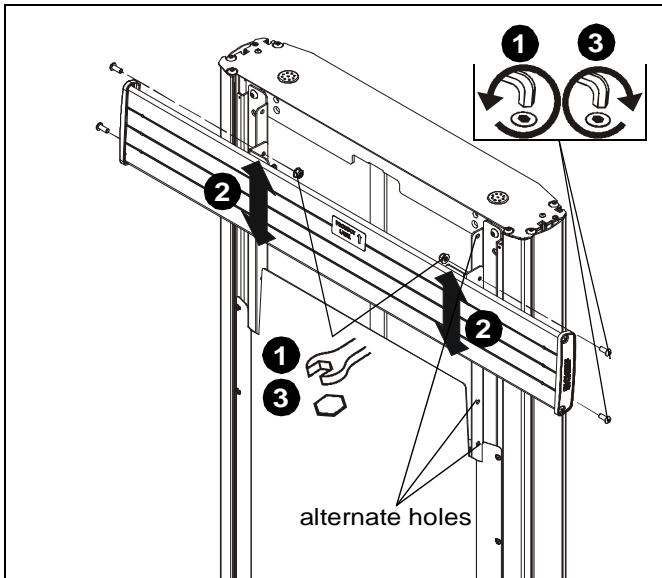


Figure 17

Cable Management

NOTE: The following cable management options may vary based on type of display being mounted and user preference.

1. Place FCA clip (P) into groove on back of Fusion mount with clip handle in a vertical position. (See Figure 18)
2. Rotate FCA clip (P) 90° in either direction until clip handle is in a horizontal position. (See Figure 18)
3. Repeat Steps 2-3 for all clips to be installed.

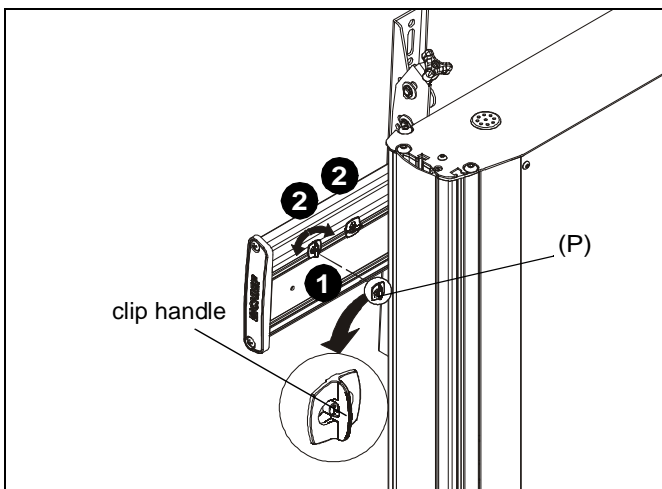


Figure 18

4. Route cables along FCA clips (P) to be used for cable management. (See Figure 19)
5. Use cable ties (Q) to secure cables to FCA clips. (See Figure 19)

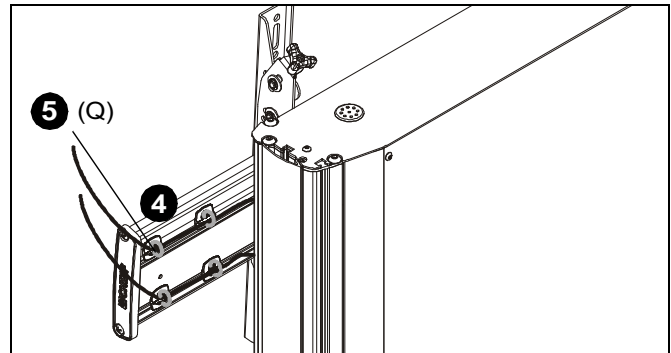


Figure 19

6. Route cables from display through inside of column assembly attaching at cable management attachment points and/or accessory bracket using cable ties (Q) or cable clips (T) as desired. (See Figure 20)

IMPORTANT ! : Route cables when display is at its highest point and make sure enough slack exists so that height may be adjusted without straining the cables!

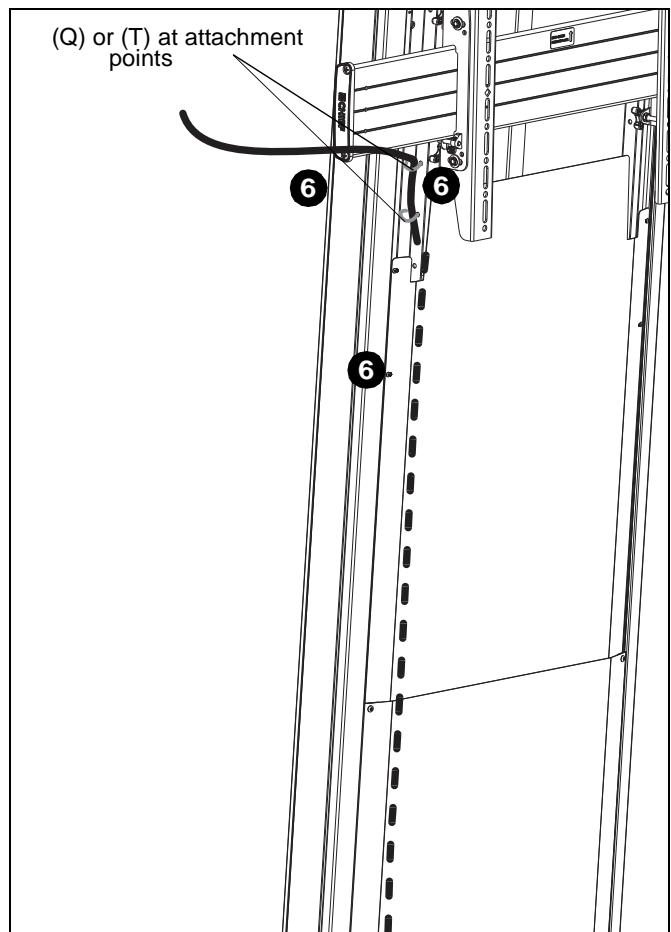


Figure 20

Adjustments

Height Adjustment - Head Assembly

1. Height may be adjusted up or down by manually adjusting height of head assembly. (See Figure 21)
2. To adjust tension:
 - a. Remove two tension covers. (See Figure 21)
 - b. Use 1/2" deep socket wrench to increase or decrease tension. Turn screw clockwise to increase tension and counterclockwise to decrease tension. (See Figure 21)
 - c. Replace two tension covers.

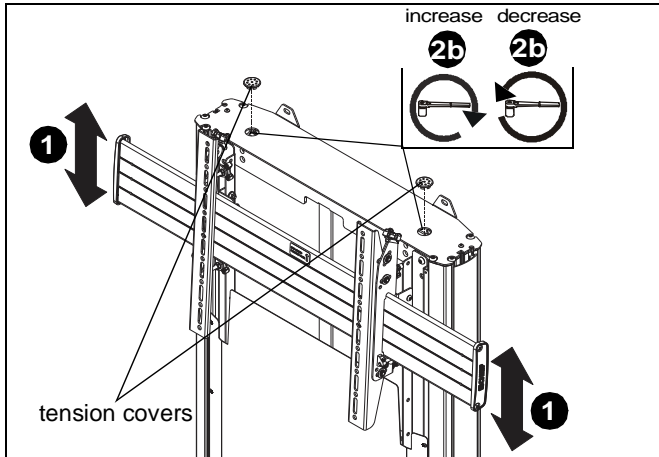


Figure 21

Adjustments - Display only

NOTE: These adjustment are ONLY to adjust the height and plumb of the display, not entire head assembly.

Height Adjustment (Display only)

1. Use upper knob on back of interface brackets (A and B) to adjust the height of the display. (See Figure 22)

NOTE: Adjust both brackets in order to maintain a level mount.

Plumb Adjustment

2. Use middle and lower knobs on back of interface brackets (A and B) to make plumb adjustments to display. (See Figure 22)

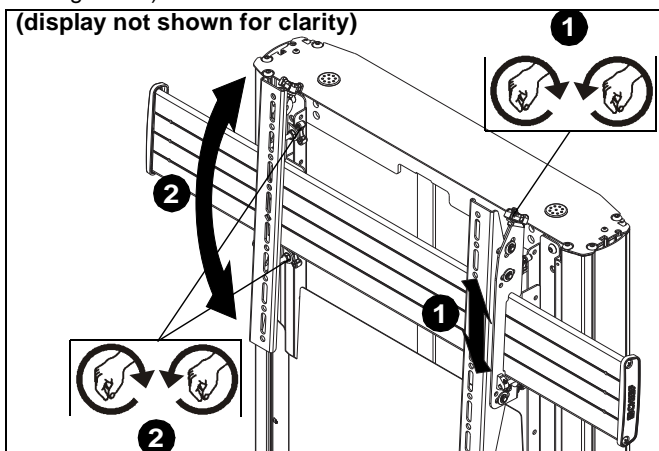


Figure 22



Our Mounts. **Your Vision.**

Chief, a products division of
Milestone AV Technologies

8800-002868 Rev01
©2016 Milestone AV Technologies
www.milestone.com
11/16

USA/International	A 6436 City West Parkway, Eden Prairie, MN 55344 P 800.582.6480 / 952.225.6000 F 877.894.6918 / 952.894.6918
Europe	A Franklinstraat 14, 6003 DK Weert, Netherlands P +31 (0) 495 580 852 F +31 (0) 495 580 845
Asia Pacific	A Office No. 918 on 9/F, Shatin Galleria 18-24 Shan Mei Street Fotan, Shatin, Hong Kong P 852 2145 4099 F 852 2145 4477

